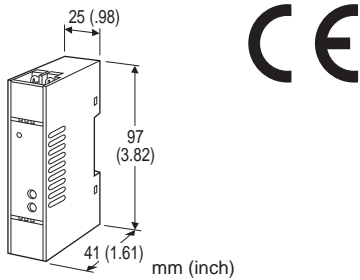


Super-mini Terminal Block Signal Conditioners M5-UNIT

RTD TRANSMITTER

Functions & Features

- Accepts direct input from an RTD and provides a standard process signal
- Linearization and burnout
- Fast response type available
- High-density mounting
- Power LED
- CE marking for 24 V DC power



MODEL: M5RS-[1][2]-[3][4]

ORDERING INFORMATION

Specify a code from below for each [1] through [4].

- Code number: M5RS-[1][2]-[3][4]
(e.g. M5RS-4A-R/K/BL/Q)

Specify variables.

- Temperature range (e.g. 0 – 500°C)
- Special output range (For codes Z & 0)
- Specify the specification for option code /Q
(e.g. /C01 /V01)

[1] INPUT RTD (2- or 3-wire)

- 1:** JPt 100 (JIS'89)
(Usable range: -200 to +500°C, -328 to +932°F; min.span: 50°C, 90°F)
- 3:** Pt 100 (JIS'89)
(Usable range: -200 to +650°C, -328 to +1202°F; min.span: 50°C, 90°F)
- 4:** Pt 100 (JIS'97, IEC)
(Usable range: -200 to +850°C, -328 to +1562°F; min.span: 50°C, 90°F)
- 5:** Pt 50 Ω (JIS'81)
(Usable range: -200 to +500°C, -328 to +932°F; min.span: 100°C, 180°F)
- 6:** Ni 508.4 Ω
(Usable range: -50 to +200°C, -58 to +392°F; min.span: 30°C, 54°F)
- 0:** Specify

[2] OUTPUT

Current

- A:** 4 – 20 mA DC (Load resistance 550 Ω max.)
- D:** 0 – 20 mA DC (Load resistance 550 Ω max.)

Z: Specify current (See OUTPUT SPECIFICATIONS)

Voltage

- 1:** 0 – 10 mV DC (Load resistance 100 kΩ min.)
(CE not available)
- 2:** 0 – 100 mV DC (Load resistance 100 kΩ min.)
(CE not available)
- 3:** 0 – 1 V DC (Load resistance 100 Ω min.)
- 4:** 0 – 10 V DC (Load resistance 1000 Ω min.)
- 5:** 0 – 5 V DC (Load resistance 500 Ω min.)
- 6:** 1 – 5 V DC (Load resistance 500 Ω min.)
- 1W:** -10 – +10 mV DC (Load resistance 100 kΩ min.)
(CE not available)
- 2W:** -100 – +100 mV DC (Load resistance 100 kΩ min.)
(CE not available)
- 3W:** -1 – +1 V DC (Load resistance 800 Ω min.)
- 4W:** -10 – +10 V DC (Load resistance 8000 Ω min.)
- 5W:** -5 – +5 V DC (Load resistance 4000 Ω min.)
- 0:** Specify voltage (See OUTPUT SPECIFICATIONS)
- 01:** Specify voltage (See OUTPUT SPECIFICATIONS)
(CE not available)

[3] POWER INPUT

AC Power

M: 85 – 264 V AC (Operational voltage range 85 – 264 V, 47 – 66 Hz)
(CE not available)

DC Power

R: 24 V DC
(Operational voltage range 24 V ±10 %, ripple 10 %p-p max.)

[4] OPTIONS (multiple selections)

Response Time (0 – 90 %)

blank: Standard (≤ 0.5 sec.)
/K: Fast Response (Approx. 25 msec.)

Burnout

blank: Upscale burnout
/BL: Downscale burnout

Other Options

blank: none
/Q: Option other than the above (specify the specification)

SPECIFICATIONS OF OPTION: Q (multiple selections)

COATING (For the detail, refer to M-System's web site.)

/C01: Silicone coating
/C02: Polyurethane coating
/C03: Rubber coating

ADJUSTMENT

/V01: Multi-turn fine adjustment
/VN: Sealed adjustment holes

GENERAL SPECIFICATIONS

Construction: Terminal block
Connection: M3.5 screw terminals (torque 0.8 N·m)
Screw terminal: Nickel-plated steel
Housing material: Flame-resistant resin (black)
Isolation: Input to output to power
Zero adjustment: -2 to +2 % (front)
Span adjustment: 98 to 102 % (front)
Linearization: Standard
Power LED: Green light turns on when the power is supplied.

± 0.015 %/°C or ± 0.008 %/°F
 (at 200°C or 360°F or greater spans)
 ± 0.02 %/°C or ± 0.01 %/°F
 (at narrower than 200°C or 360°F spans)
Burnout response: ≤ 10 sec.
Line voltage effect: ± 0.1 % over voltage range
Insulation resistance: ≥ 100 M Ω with 500 V DC
Dielectric strength (input to output to power to ground)
DC powered: 2000 V AC @1 minute
AC powered: 1500 V AC @1 minute

INPUT SPECIFICATIONS

Input: 2- or 3-wire RTDs
Maximum leadwire resistance: 200 Ω per wire (3-wire)
Sensing current: 2 mA (Pt); 1 mA (Ni 508.4 Ω)

STANDARDS & APPROVALS

CE conformity:
 EMC Directive (2004/108/EC)
 EMI EN 61000-6-4: 2007
 EMS EN 61000-6-2: 2005

OUTPUT SPECIFICATIONS

■ **DC Current:** 0 - 20 mA DC
Minimum span: 1 mA
Offset: Max. 1.5 times span
Load resistance: Output drive 11 V max.
 ■ **DC Voltage**
Output code 0 (CE)
Voltage range: -10 - +10 V DC
Minimum span: 1 V
Offset: Max. 1.5 times span
Load resistance: Output drive 10 mA max.; at ≥ 1 V
 Max. 1.25 mA output drive for negative voltage
Output code 01 (Not CE)
Voltage range: -1 - +1 V DC
Minimum span: 10 mV
Offset: Max. 1.5 times span
Load resistance: Min. 100 k Ω
 Min. 1 M Ω for negative voltage

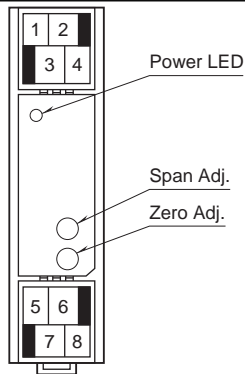
INSTALLATION

Power Consumption
 • **AC Power input:**
 Approx. 2 VA at 100 V
 Approx. 3 VA at 200 V
 Approx. 3 VA at 264 V
 • **DC power input:** Approx. 2 W
Operating temperature: -5 to +55°C (23 to 131°F)
Operating humidity: 0 to 90 %RH (non-condensing)
Mounting: DIN rail
Weight: 80 g (2.8 oz)

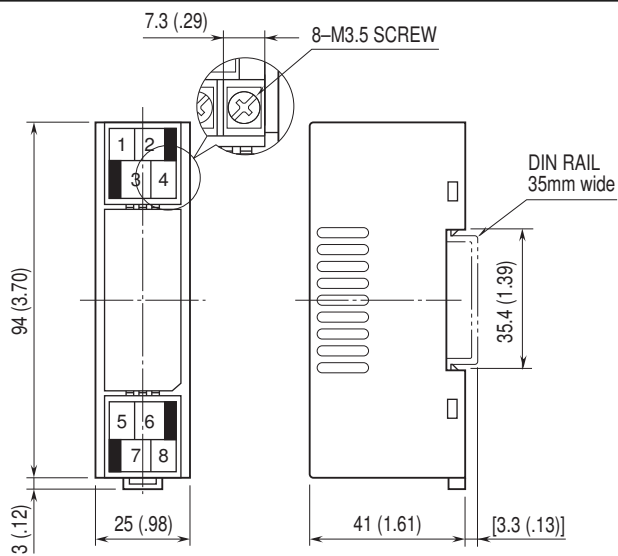
PERFORMANCE in percentage of span

Accuracy: ± 0.2 %
Temp. coefficient:

FRONT VIEW

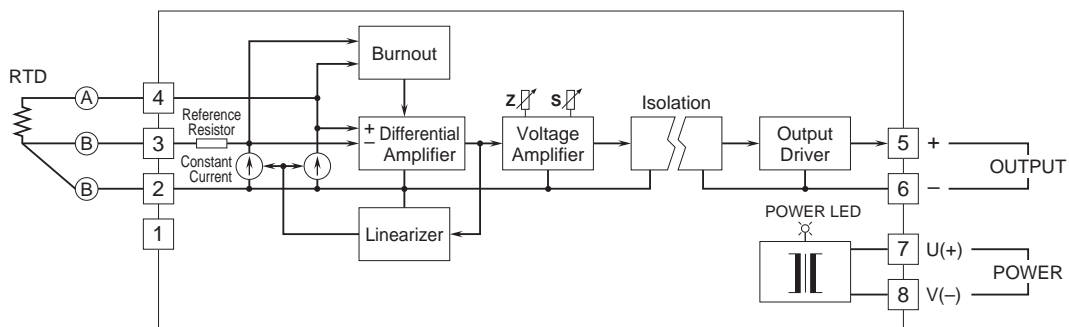


DIMENSIONS unit: mm (inch)



• When mounting, no extra space is needed between units.

SCHEMATIC CIRCUITRY & CONNECTION DIAGRAM



Specifications are subject to change without notice.